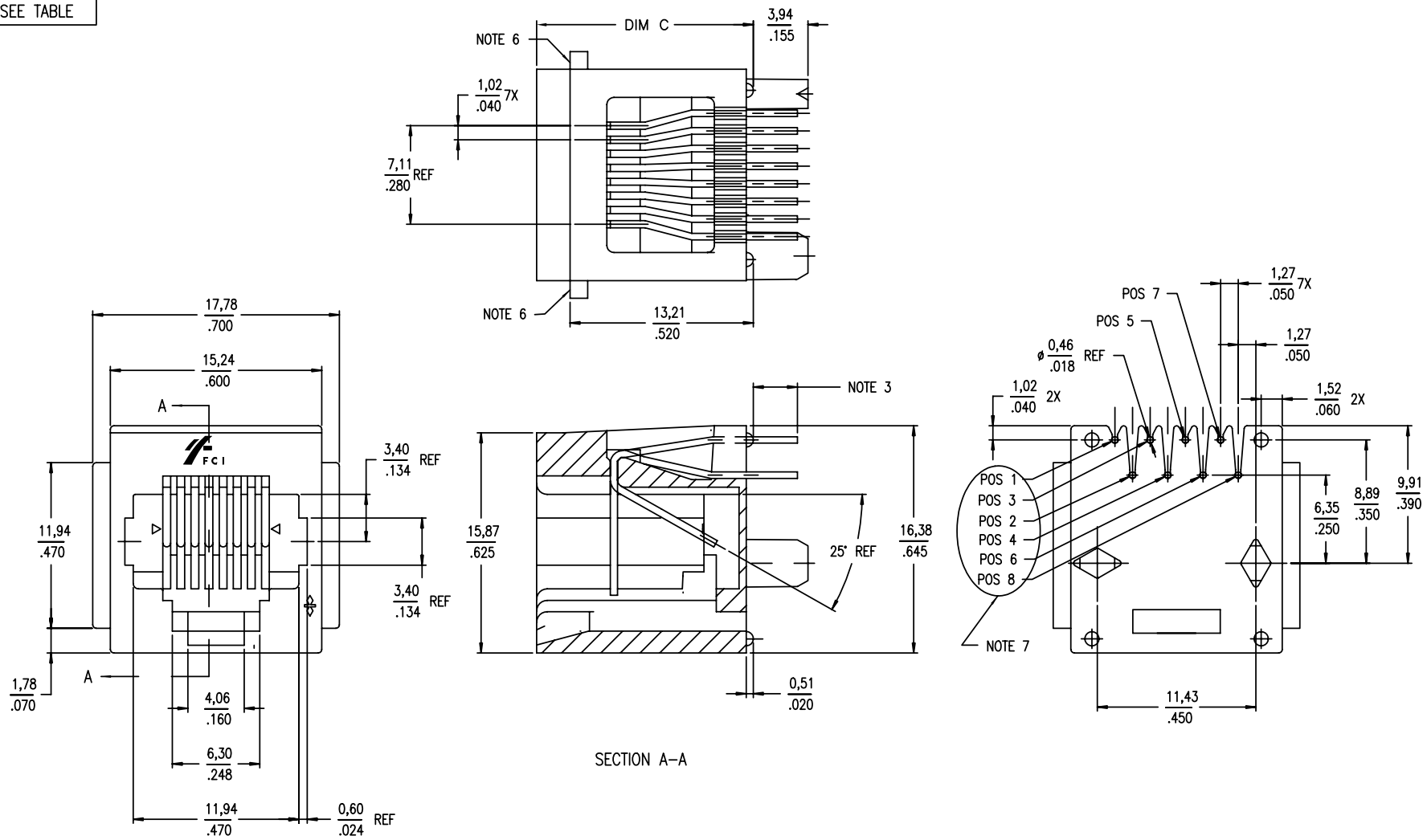


PRODUCT NO.
SEE TABLE

Tous droits strictement reserves. Reproduction ou communication a des tiers interdite sous quelque forme que ce soit sans autorisation ecrite du proprietaire. Propriete de c FCI. Droits de reproduction FCI.



All rights strictly reserved. Reproduction or issue to third parties in any form whatever is not permitted without written authority from the proprietor. Property of FCI. Copyright FCI.



SECTION A-A

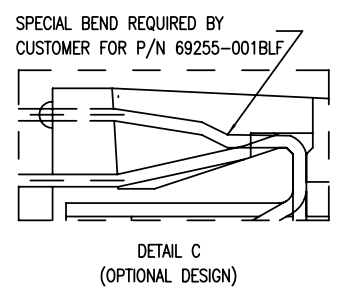
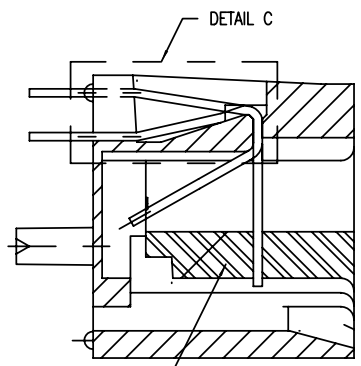
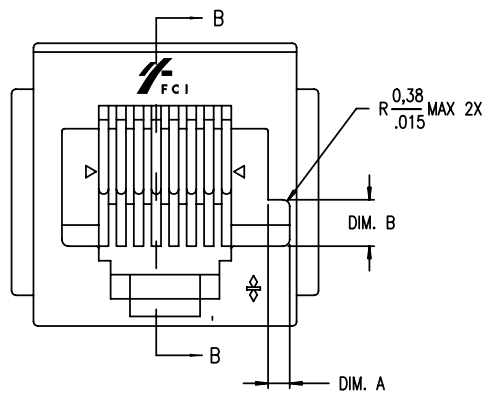
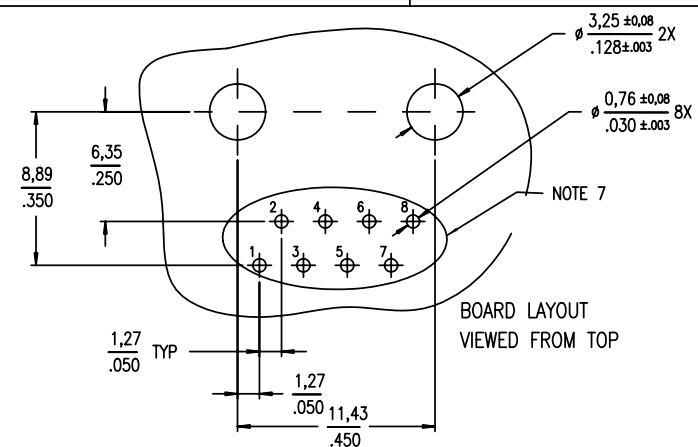
mat'l. code				tolerances unless otherwise specified		CUSTOMER COPY		FCI www.fciconnect.com	
ltr	ecn no	dr	date	linear	.XX ±.01/.X±.3	projection		title	
AE	N10-0009	SH	01/13/10		.xxx ±.005/.xx±.13	MM/INCH		8 POS VERTICAL P.C.B. MOD JACK ASSY	
W	T90350	TC	2/22/00		.xxx ±.0020/.xxx±.051	scale		product family MODJACK	
X	S00022	BCL	6/26/00	angles	0° ±2°	3.5/1		size dwg no	
Y	N00059	MC	5/25/00	dr	JANET 2/22/00	A		code	
AA	N00186	MC	2/19/00	enr	M.CHENG 12/19/00	69255		sheet	
AB	N05-0022	MHT	2/18/05	chr	M.CHENG 12/19/00			1 of 3	
AC	M05-0067	MHT	4/8/05	appd	M.CHENG 12/19/00				
sheet index	revision	AE	AE	AE					
	sheet	1	2	3					

Tous droits strictement réservés. Reproduction ou communication a des tiers interdite sous quelque forme que ce soit sans autorisation écrite du propriétaire. Propriété de c FCI. Droits de reproduction FCI.



All rights strictly reserved. Reproduction or issue to third parties in any form whatever is not permitted without written authority from the proprietor. Property of FCI. Copyright FCI.

PRODUCT NO. ④	DIM. A	DIM. B	DIM. C	STYLE	POSITIONS LOADED	CONTACT PLATING ⑪	NOTES
69255-X01YLF	-	-	15.62/.615	UNKEYED	ALL	GXT	-
-X02YLF	1,25 /,050	2,69 /,106	15.62/.615	KEYED	ALL	GXT	-
-X03YLF	-	-	15.62/.615	UNKEYED	2,3,4,5,6,7	GXT	-
-X04YLF	-	-	15.62/.615	UNKEYED	ALL	0,76um / 30u" Au	-
-X05YLF	-	-	15.62/.615	UNKEYED	ALL	1,27um / 50u" Au	-
-X06YLF	1,25 /,050	2,69 /,106	15.62/.615	KEYED	ALL	1,27um / 50u" Au	-
-X07YLF	-	-	15.62/.615	UNKEYED	ALL	GXT	NOTE 1
-X08YLF	-	-	15.62/.615	UNKEYED	3,4,5,6	GXT	-
-X09YLF	-	-	15.62/.615	UNKEYED	ALL	GXT	NOTE 6
-X10YLF	-	-	13.62/.536	UNKEYED	ALL	GXT	NOTE 6



KEYWAY OPTION ON 69255-002LF & -006LF ONLY.

- NOTES :
- SPECIAL PACKAGING.
 - GXT IS 0,76um / 30u" MIN GXT WITH Au FLASH OVER
1,27um / 50u" MIN Ni.
 - SOLDER TAIL LENGTH :
X = 0 [3,18 ±0,51 / .125 ±.020]
X = 1 [8,13 ±0,51 / .320 ±.020]
X = 2 [5,30 ±0,51 / .208 ±.020]
X = 3 [3,70 ±0,51 / .145 ±.020]
[FOR X = 1 TO 2 , WIRE TRUE POSITION IS NOT APPLICABLE.]
PACKAGING SPEC. IS GES-14-428
 - COLOR OF HOUSING :
Y = NIL (BLACK HOUSING)
Y = W (WHITE, RAL1013 HOUSING)
Y = G (GRAY, HOUSING)
 - SPECIAL REQUIREMENT :
SEE DETAIL C FOR P/N 69255-001B FOR FEATURE DETAILS.
 - NO PANEL STOPS ON -X09Y AND -X10Y.
 - THIS PIN NUMBERING OPPOSITE TO FCC, PART 68, SUB-PART F REQUIREMENTS
 - PART NUMBERS WITH LF IN THE END ARE LEAD FREE.
 - THIS PRODUCT MEETS EUROPEAN UNION DIRECTIVES AN OTHER COUNTRY REGULATION AS DESCRIBED IN GS-22-008.
 - THE HOUSING TEMPERATURE WITHSTAND EXPOSURE TO 260°C PEAK TEMPERATURE FOR 15 SECONDS IN A WAVE SOLDER APPLICATION WITH A 1.5 MM MINIMUM THICK CIRCUIT BOARD. SEE APPLICATION NOTES/PROCEDURES IF THEY ARE AVAILABLE.
 - PLATING OPTION:
MAY BE EITHER GOLD OR GXT PLATED AT MANUFACTURER'S OPTION.

mat'l. code				tolerances unless otherwise specified		CUSTOMER COPY		FCI	
ltr	ecn no	dr	date	linear	.xx ±.01/.xx±.3	projection	title	www.fciconnect.com	
AE				angles	.xxx ±.005/.xx±.13 .xxx ±.0020/.xxx±.051	MM/INCH	8 POS VERTICAL P.C.B. MOD JACK ASSY	product family	code
				dr	0° ±2°	scale	P.C.B. MODJACK	MODJACK	
				enr	JANET 2/22/00	3.5/1	size	dwg no	
				chr	M.CHENG 12/19/00	A	69255		sheet
				appd	M.CHENG 12/19/00				2 of
sheet index	revision sheet								



All rights strictly reserved. Reproduction or issue to third parties in any form whatever is not permitted without written authority from the proprietor. Property of FCI. Copyright FCI.

Tous droits strictement reserves. Reproduction ou communication a des tiers interdite sous quelque forme que ce soit sans autorisation ecrite du propriétaire. Propriete de c FCI. Droits de reproduction FCI.

1 | 2

3

4

PRODUCT NO. ④	DIM. A	DIM. B	DIM. C	STYLE	POSITIONS LOADED	CONTACT PLATING ①	NOTES
69255-X01YHLF	-	-	15.62/.615	UNKEYED	ALL	GXT	-
-X02YHLF	1,25 /,050	2,69 /,106	15.62/.615	KEYED	ALL	GXT	-
-X03YHLF	-	-	15.62/.615	UNKEYED	2,3,4,5,6,7	GXT	-
-X04YHLF	-	-	15.62/.615	UNKEYED	ALL	0,76um /30u" Au	-
-X05YHLF	-	-	15.62/.615	UNKEYED	ALL	1,27um /50u" Au	-
-X06YHLF	1,25 /,050	2,69 /,106	15.62/.615	KEYED	ALL	1,27um /50u" Au	-
-X07YHLF	-	-	15.62/.615	UNKEYED	ALL	GXT	NOTE 1
-X08YHLF	-	-	15.62/.615	UNKEYED	3,4,5,6	GXT	-
-X09YHLF	-	-	15.62/.615	UNKEYED	ALL	GXT	NOTE 6
-X10YHLF	-	-	13.62/.536	UNKEYED	ALL	GXT	NOTE 6

MEETS PIP PROCESS PRODUCT NO.

A

A

mat'l. code -				tolerances unless otherwise specified				CUSTOMER COPY		 www.fciconnect.com		
ltr	ecn no	dr	date	linear	.XX ±.01/.X±.3			projection	title			
AE					.xxx ±.005/.xx±.13				 8 POS VERTICAL P.C.B. MOD JACK ASSY			
					.xxx ±.0020/.xxx±.051							
				angles	0° ±2°			MM/INCH	product family MODJACK		code	
				dr	JANET	2/22/00	scale		A	size		-
				enr	M.CHENG	12/19/00		3.5/1		69255	dwg no	
				chr	M.CHENG	12/19/00						
				appd	M.CHENG	12/19/00						
sheet index	revision sheet											

B

B

1 | 2

PDM: Rev:AE³

STATUS: Released

Printed: Aug 01, 2010