

PTS125 Series 12 mm Tact Switches



Features/Benefits

- THT and SMT terminations
- Various heights
- Snap fit actuator option

Typical Applications

- Consumer products
- Instrumentation
- Computer products
- Industrial



B

Tactile Switches

Specification

FUNCTION: Momentary action
CONTACT ARRANGEMENT: 1 make contact SPST, N.O.
TERMINALS: PC pins for THT and G type for SMT
TRAVEL: 0.30 mm ± 0.15 mm

Mechanical

OPERATING LIFE: 200,000 cycles
OPERATING FORCE: 180 gf ± 50
250 gf ± 50

Electrical

MAX VOLTAGE: 12 VDC
MAX CURRENT: 50 mA
DIELECTRIC STRENGTH: 250 V AC (1mn)
CONTACT RESISTANCE: <100 mΩ
INSULATION RESISTANCE: >100MΩ
BOUNCE TIME: < 5 ms

NOTE: Specifications listed above are for switches with standard options.
For information on specific and custom switches, consult Customer Service Center.

Environmental

OPERATING TEMPERATURE: -20°C to 70°C

Process

SOLDERING: This component is suited to the following methods:
Infrared reflow soldering in accordance with IEC 61760-1 for SMT version
Wave soldering compatible with lead free soldering profile

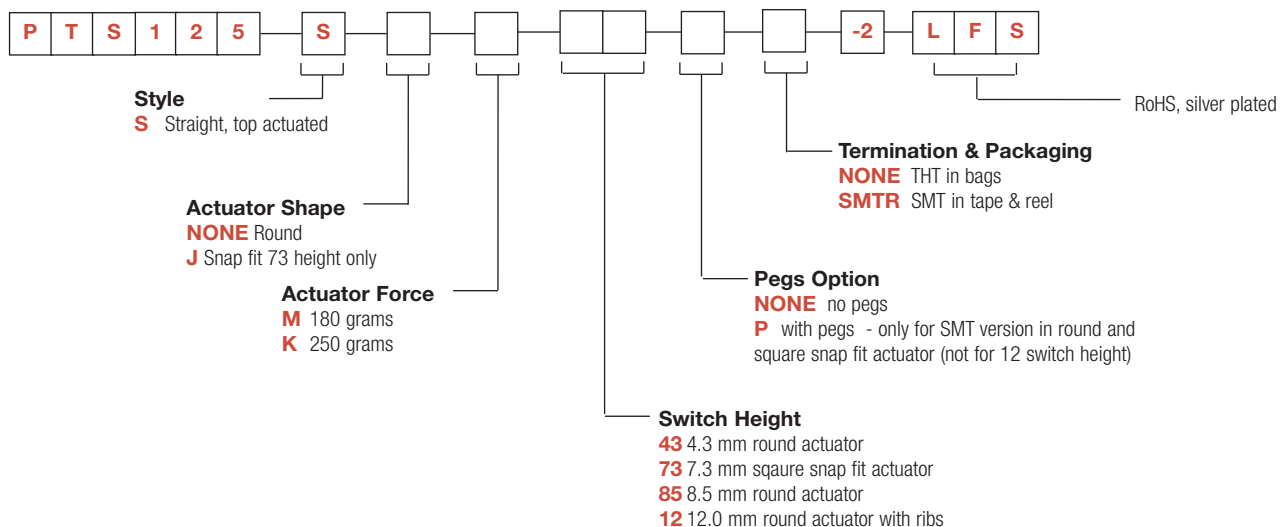
Packaging

Soldering Style	Height	Packaging	Parts per Packaging
THT	All heights	Plastic bag	500
SMT	4.3 mm	tape & reel	900
SMT	4.3 mm with pegs	tape & reel	600
SMT	7.3 mm	tape & reel	500
SMT	7.3 mm with pegs	tape & reel	500
SMT	8.5 mm	tape & reel	500
SMT	8.5 mm with pegs	tape & reel	400
SMT	12 mm	tape & reel	250

Dimensions of reels according to EIA 481B. External diameter 330 mm.

How To Order

Our easy build-a-switch concept allows you to mix and match options to create the switch you need. To order, select desired option from each category and place it in the appropriate box.



Other heights with the round actuator are available upon request. Different minimum order quantities than the stand may apply.



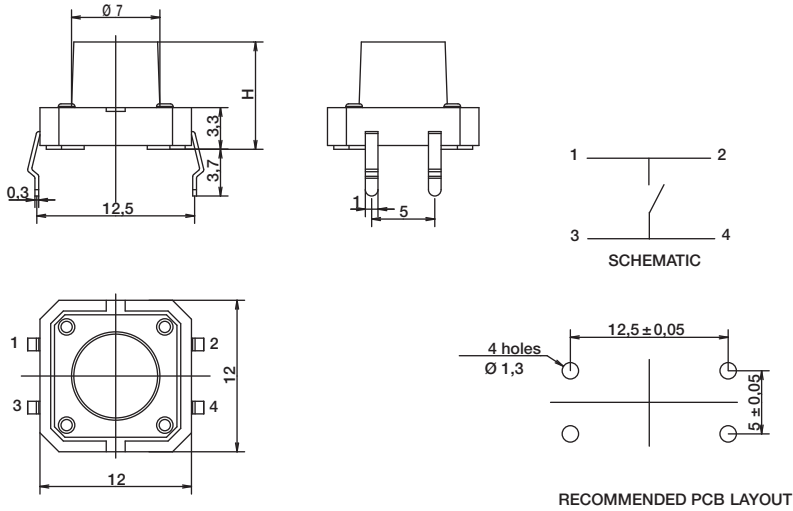
Dimensions are shown: mm
Specifications and dimensions subject to change

PTS125 Series 12 mm Tact Switches

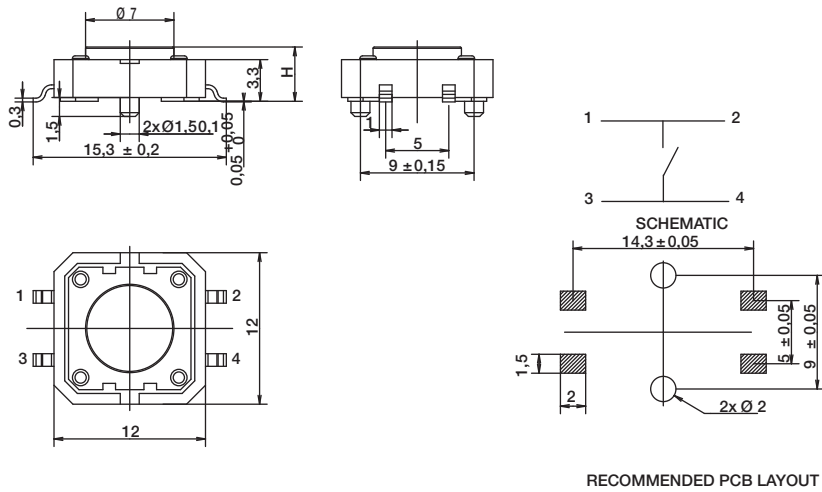
THT VERSION WITH ROUND ACTUATOR H= 4.3 & 8.5 MM (other height upon request)

B

Tactile Switches

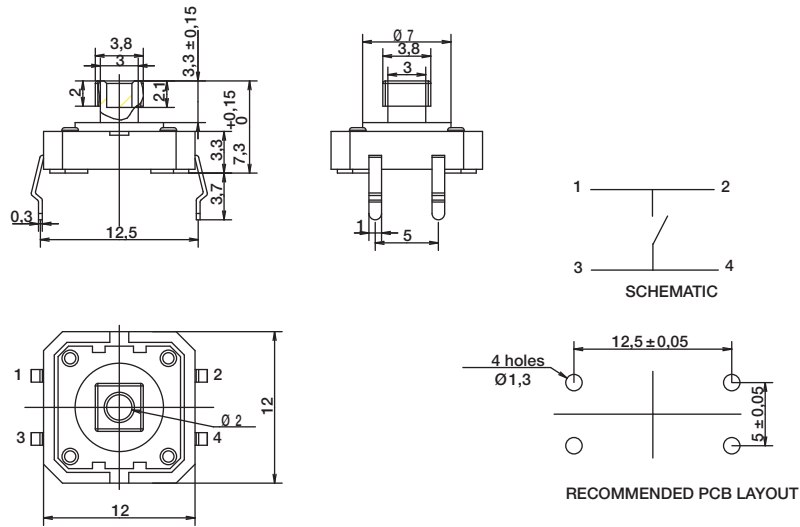


SMT VERSION WITH ROUND ACTUATOR AND PEGS H= 4.3 & 8.5 MM (other height upon request)

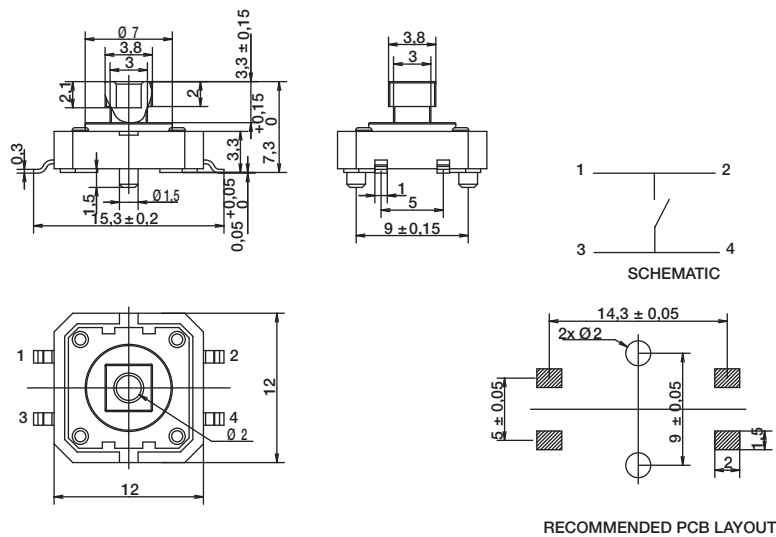


PTS125 Series 12 mm Tact Switches

THT VERSION WITH SQUARE SNAP FIT ACTUATOR H= 7.3 MM



SMT VERSION WITH SQUARE SNAP FIT ACTUATOR AND PEGS H= 7.3 MM



B

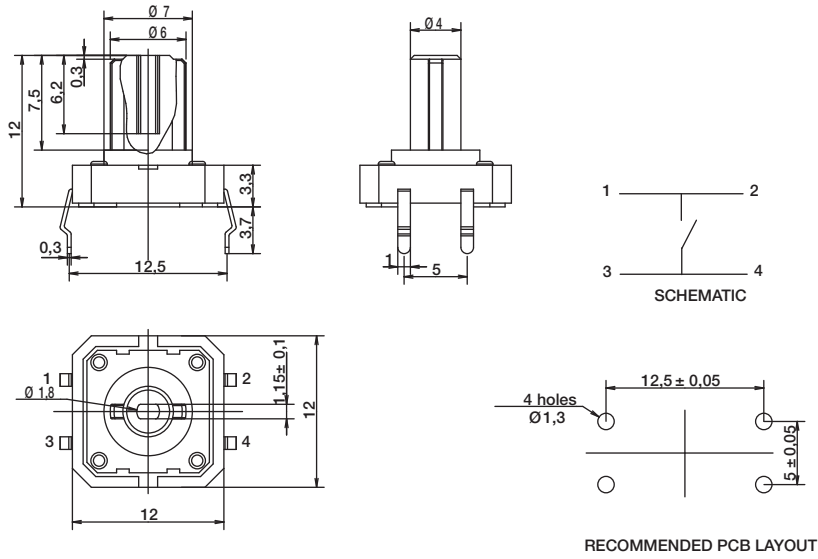
Tactile Switches

PTS125 Series 12 mm Tact Switches

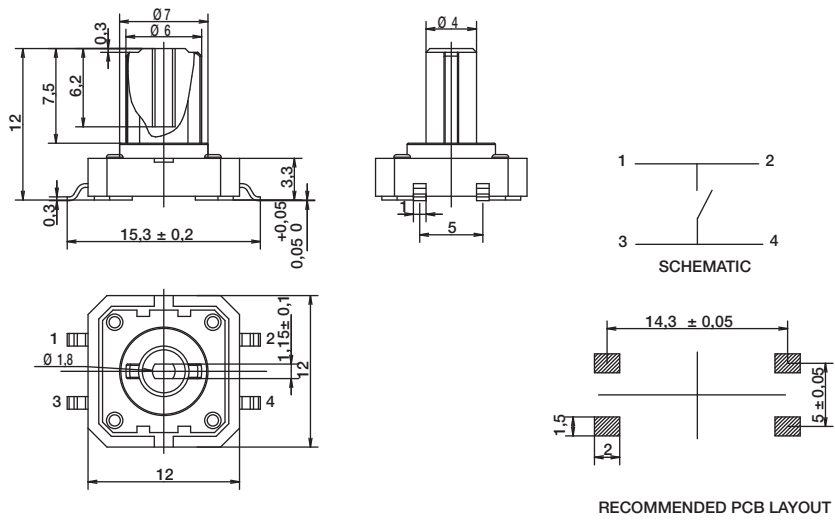
THT VERSION WITH ROUND RIBBED ACTUATOR H= 12.0 MM

B

Tactile Switches



SMT VERSION WITH ROUND RIBBED ACTUATOR H= 12.0 MM



Dimensions are shown: mm
Specifications and dimensions subject to change



Mouser Electronics

Authorized Distributor

Click to View Pricing, Inventory, Delivery & Lifecycle Information:

C&K Components:

[PTS125SK43](#) [PTS125SM43](#) [PTS125SM85 LFS](#) [PTS125SM43 LFS](#) [PTS125SK85 LFS](#) [PTS125SM12 LFS](#)

[PTS125SK43 LFS](#) [PTS125SJM73 LFS](#) [PTS125VJM73 LFS](#) [PTS125SJK73 LFS](#) [PTS125SK12LFS](#)

[PTS125VJK73LFS](#) [PTS125SK43 SMTR2-LFS](#) [PTS125SJM73 SMTR-2 LFS](#) [PTS125SK12 SMTR2-LFS](#)

[PTS125SM12 SMTR2-LFS](#) [PTS125SK85 SMTR2-LFS](#) [PTS125SM43 SMTR2-LFS](#) [PTS125SJK73 SMTR-2 LFS](#)

[PTS125SM85 2 LFS](#) [PTS125SK43-2LFS](#)